

Dual Chemical Battery System

Combination of Li-ion Batteries & Existing Lead Acid Batteries

Existing System



VRLA

Switching Unit

LiB

New Power Solution

Short Black Out → LiB

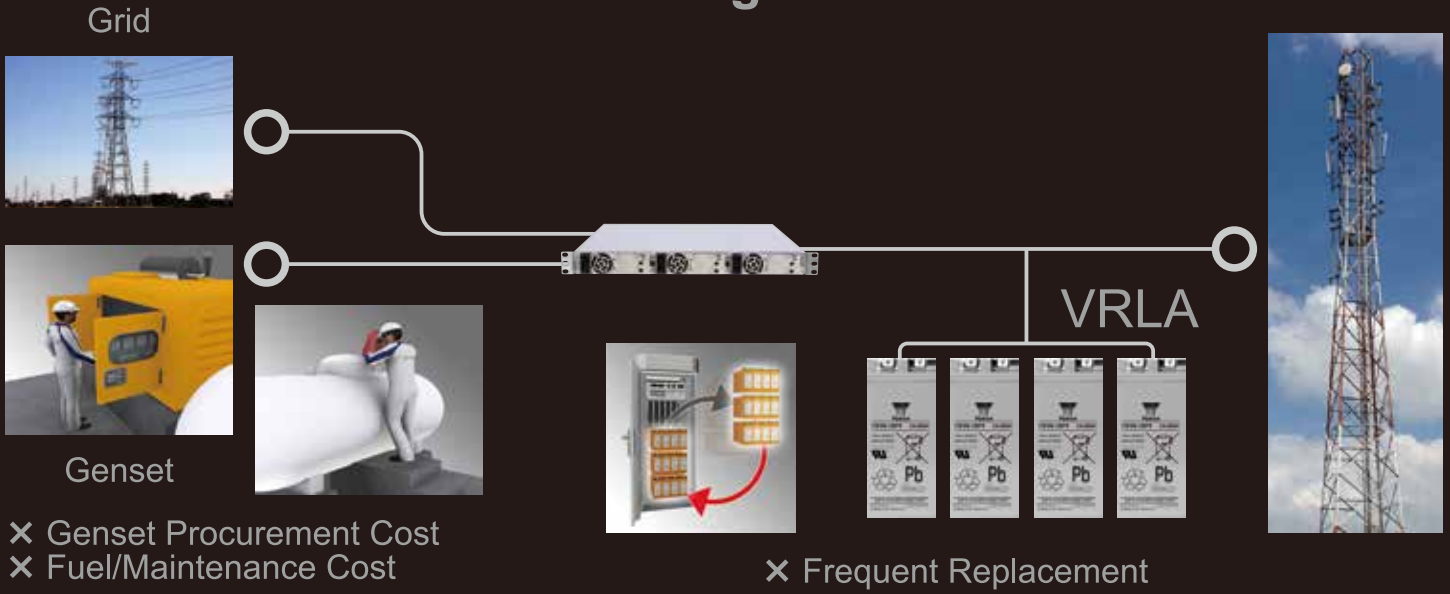
Long Black Out → VRLA

ZERO Genset Operation (ZGO)

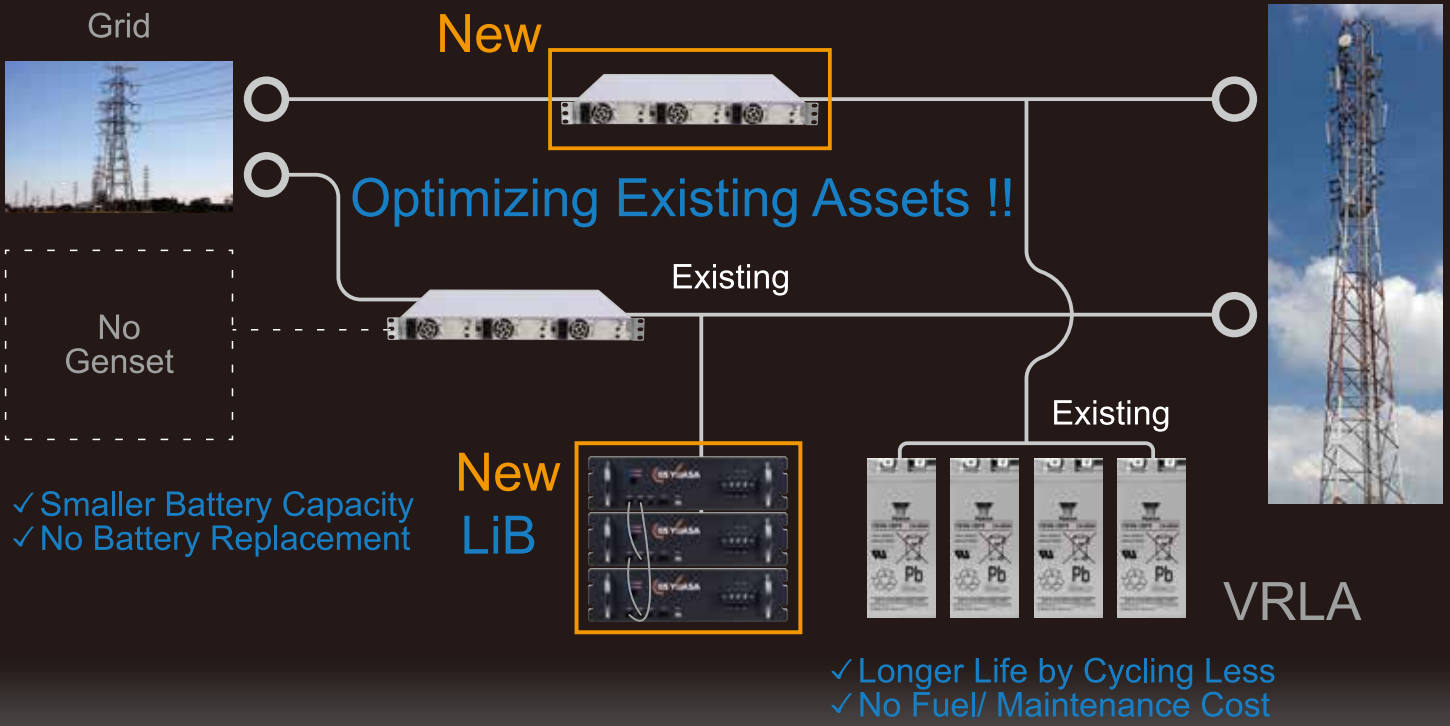
→ CAPEX/OPEX reduction

- ✓ No Genset Procurement (for new sites)
- ✓ No Battery Replacement
- ✓ No Fuel/ Maintenance Cost
- ✓ Utilizing Existing Lead Acid Batteries

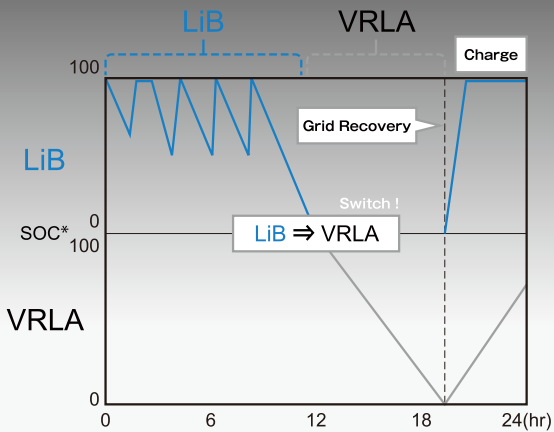
Conventional - High CAPEX/OPEX



Dual Chemical Battery System - Low CAPEX/OPEX

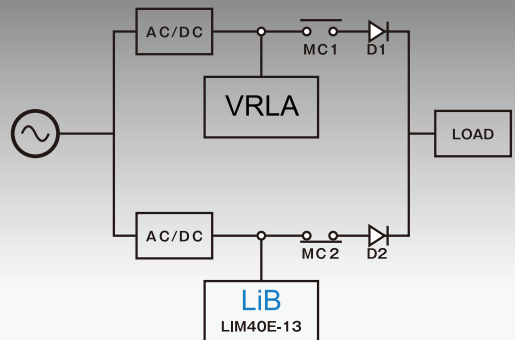


Sequence



*SOC(%)=State of Charge

Diagram



GS Yuasa International Ltd.
 1-7-13, Shiba-koen, Minato-ku, Tokyo 105-0011, Japan
 TEL: +81-3-5402-5716 FAX: +81-3-5402-5706
<http://www.gs-yuasa.com/gyin/en>